

Manhattan SC52

Como SC53

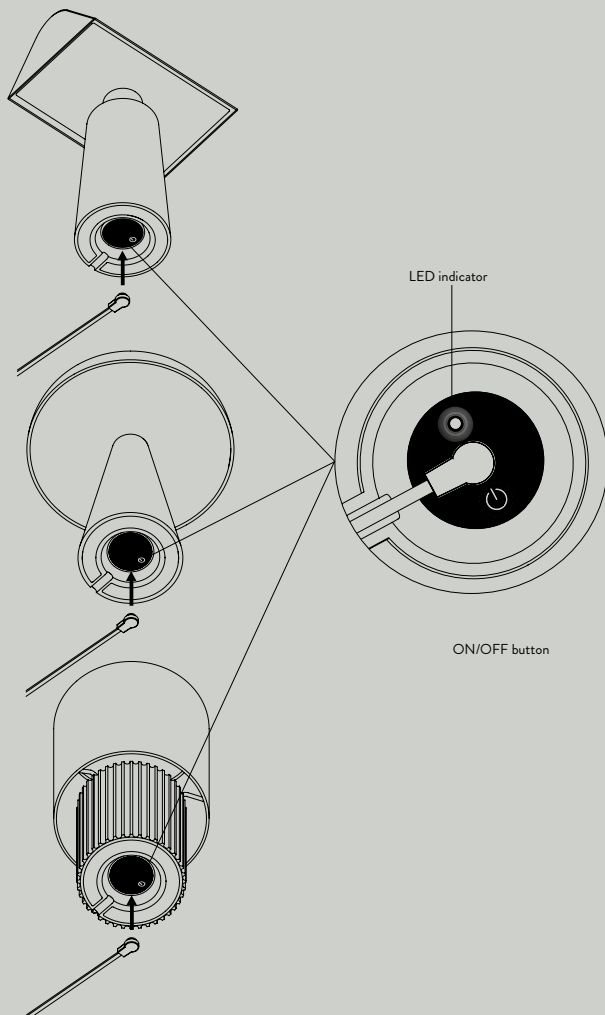
Caret MF1

Aftersales Service

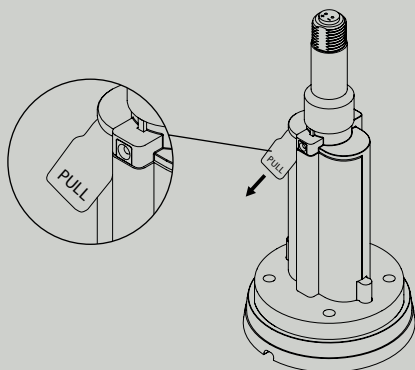


If you are unable to turn your lamp on, please read the following:

1. Make sure the lamp is fully charged. The small LED indicator on the bottom of the lamp will turn from red to green when fully charged.



2 . Make sure the plastic slip has been removed.



3. Make sure the battery is not disconnected and is placed correctly in the battery holder.

If desired, two batteries can be installed to achieve longer operation time.

