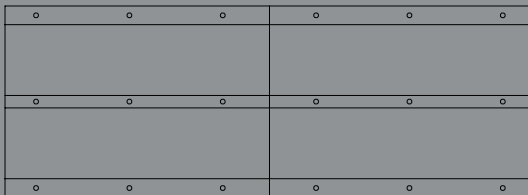


LOOP STAND SUPPORT

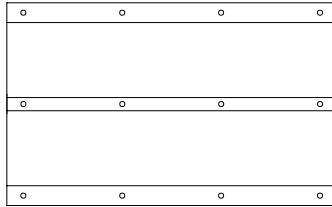


DESIGN BY LEIF JØRGENSEN

HAY

- PARTS -

← - - - - 100 CM - - - - →



D Support x1

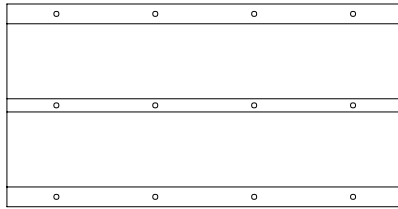


E Screw x4



F Screw x12

← - - - - 120 CM - - - - →



D Support x1

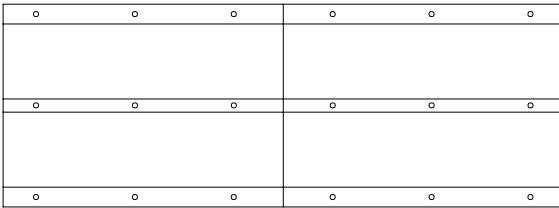


E Screw x4



F Screw x12

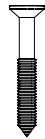
← - - - - 170 CM - - - - →



D Support x1



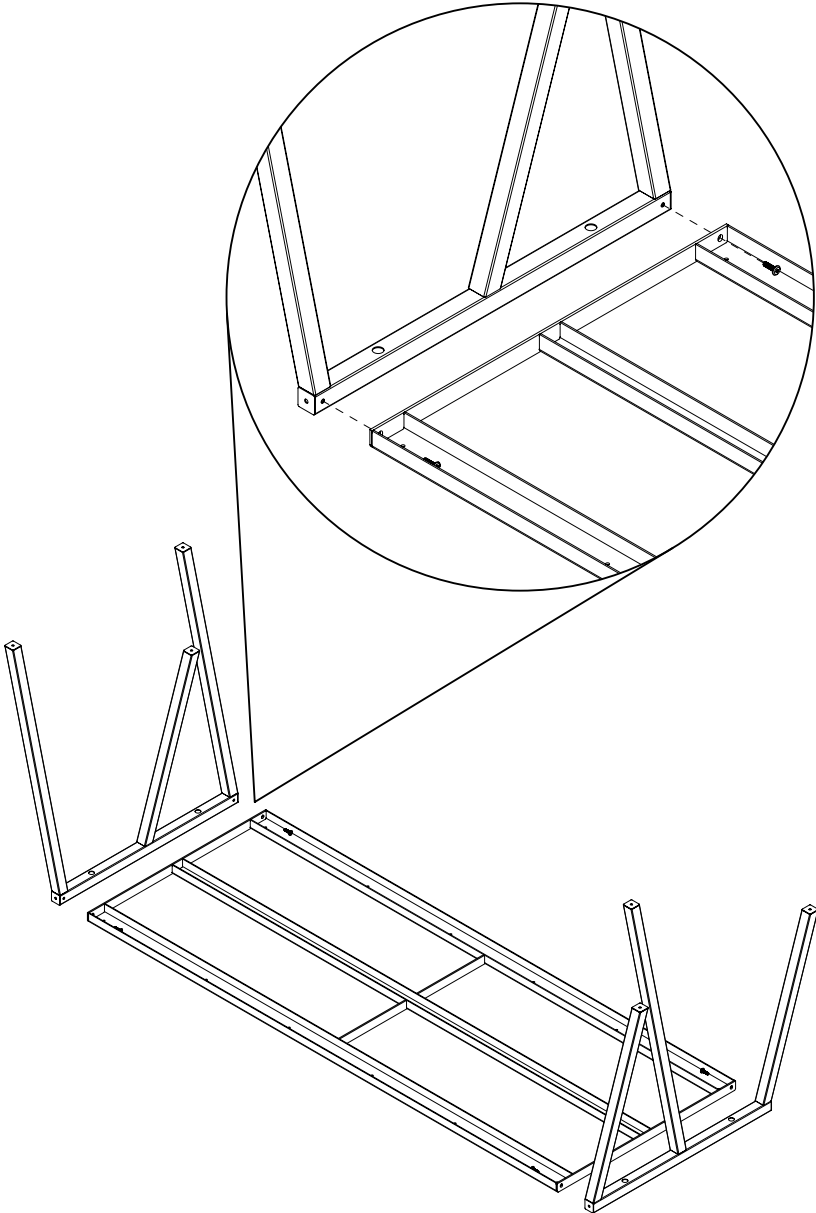
E Screw x4



F Screw x18

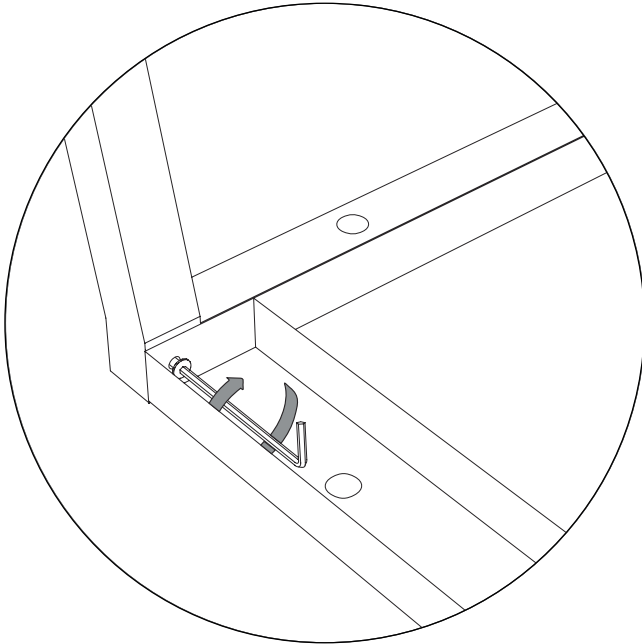
1.

Place the support **D** upside down. Starting on one side, fix the trestles to the support with the **E** parts. Flip the assembled frame.



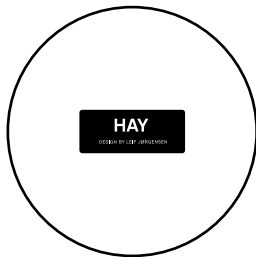
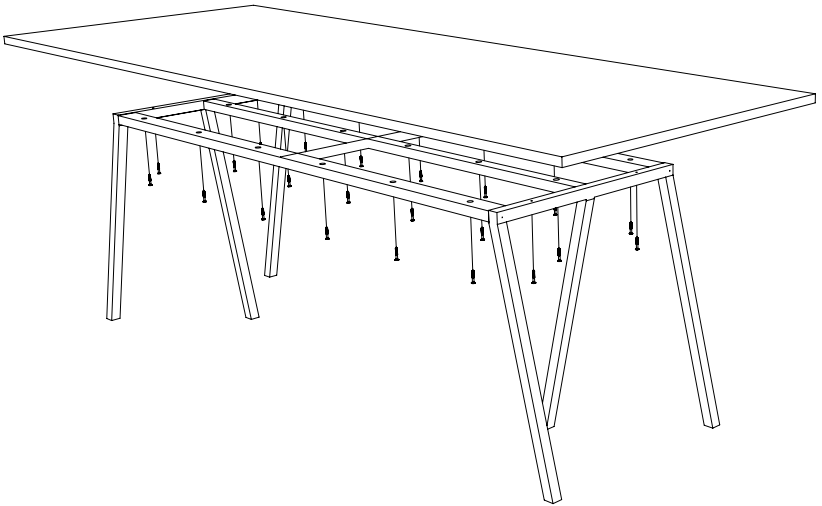
2.

Tighten the **E** part to secure the support **D** to the trestle.



3.

Screw the support **D** into the tabletop **A** using the **F** parts.



Make sure the side of the tabletop with the HAY sticker is facing down.

4.

Done!



- CARE & MAINTENANCE -

Our Care & Maintenance offers guidance for optimal maintenance of your HAY product. It includes advice and instructions on cleaning and caring for specific materials to prolong the life of your furniture.

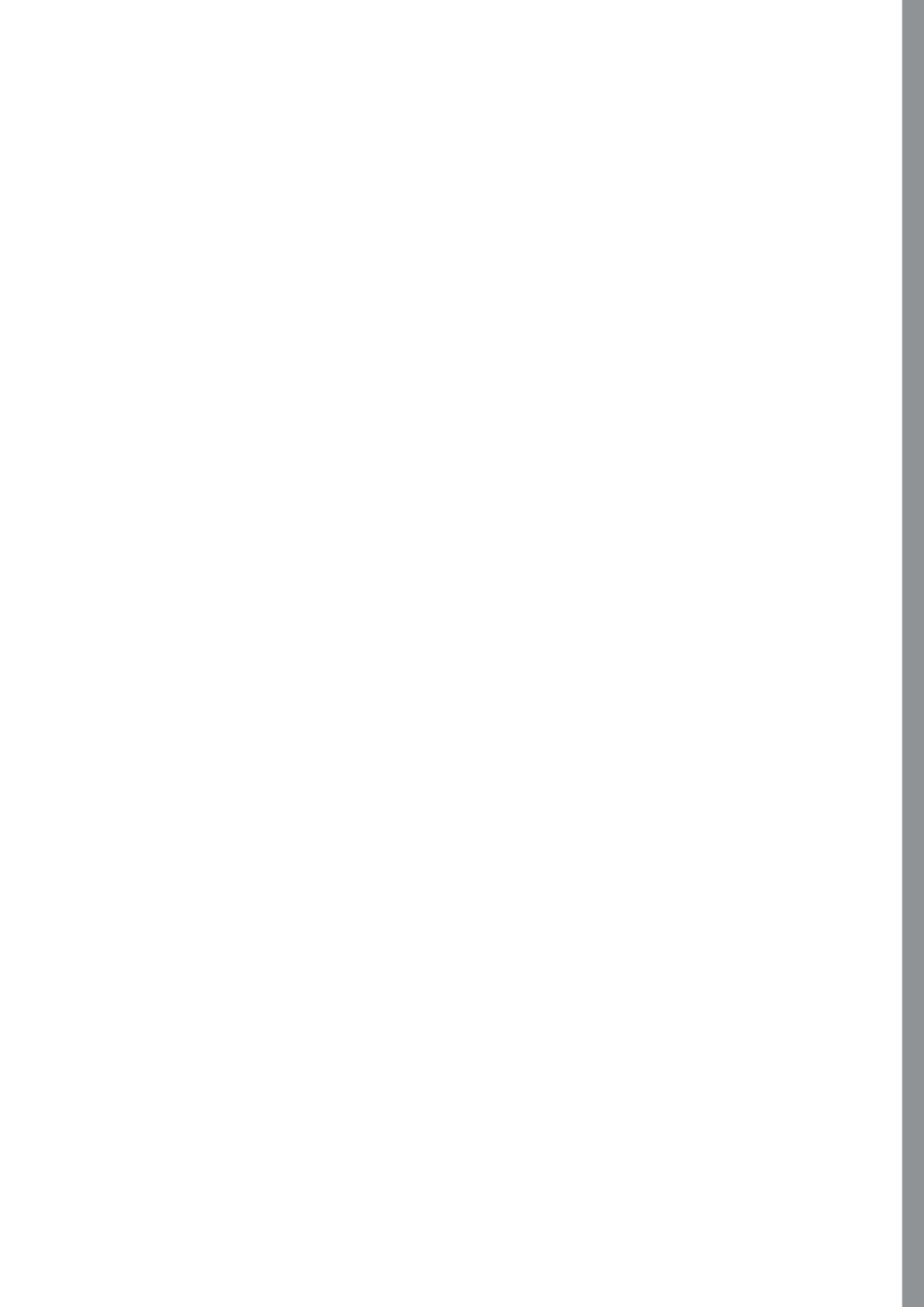


Please find our Care & Maintenance guide by scanning the QR code



You can find more relevant information on Loop Stand Support by scanning the QR code

You can also find the same information here
hay.dk/downloads



Havnen 3 8700 Horsens Denmark
+45 3164 6000 / hay@hay.com

01/09/2023

HAY

